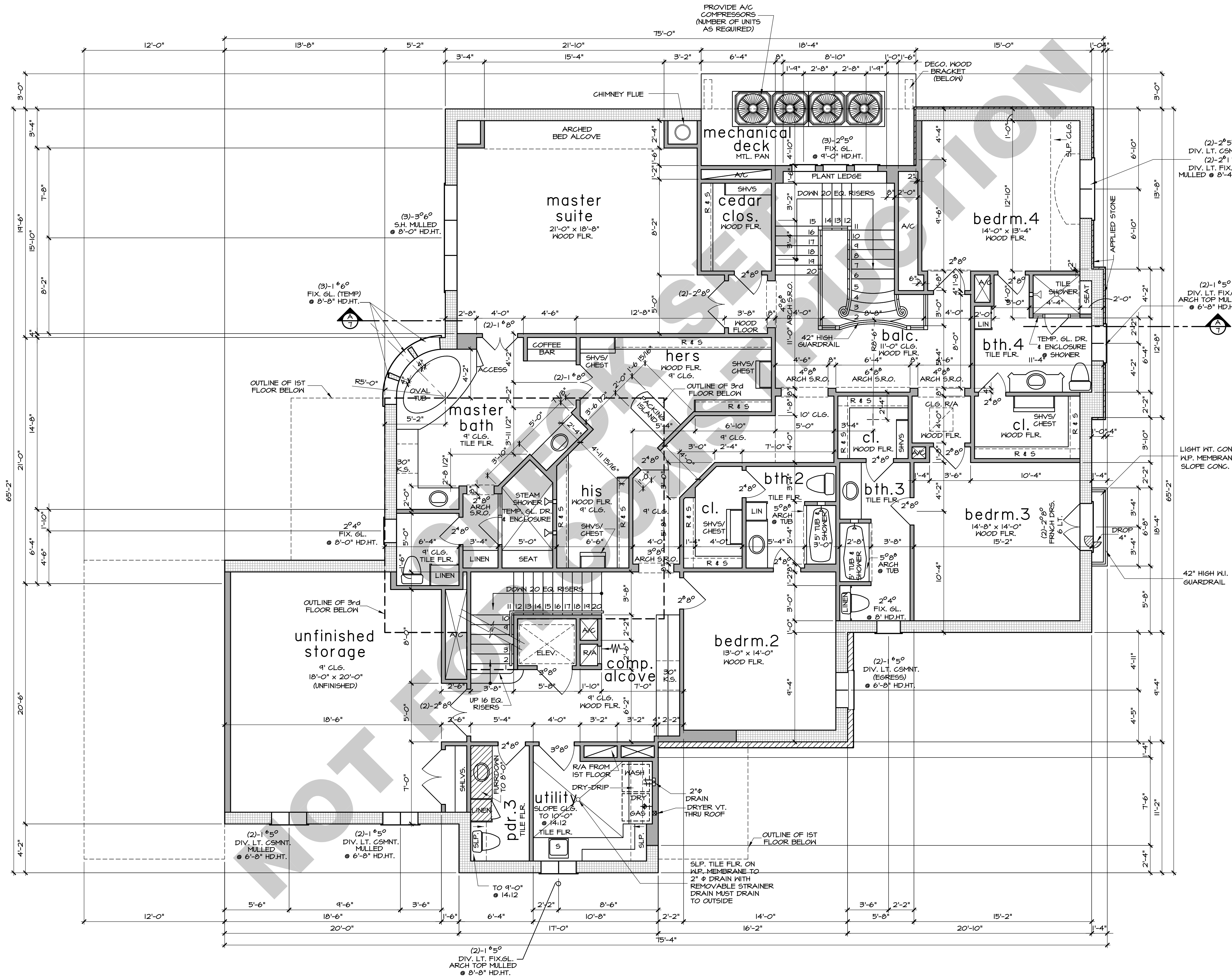
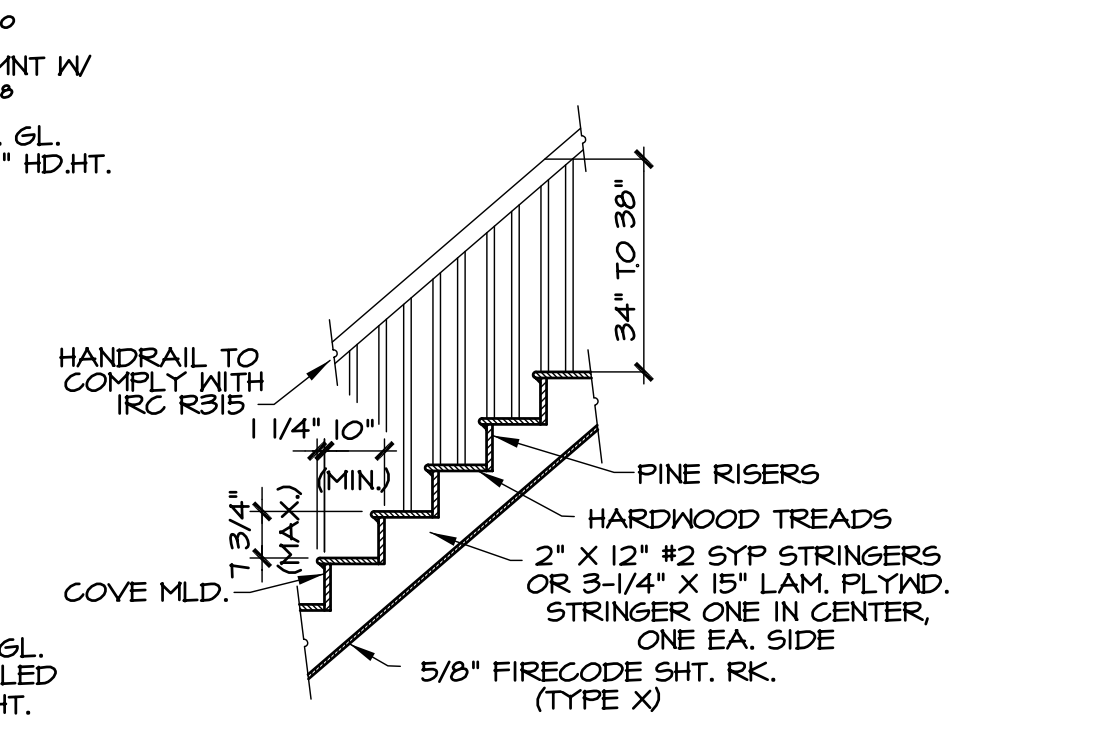
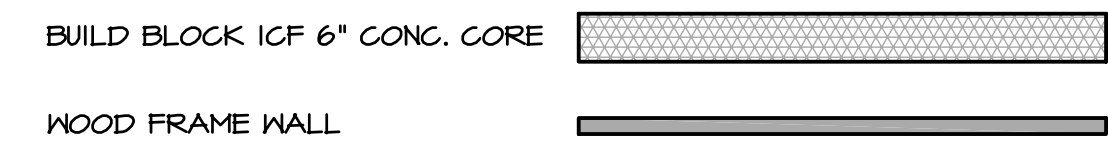


revisions		
DATE	NAME	DESCRIPTION
9-24-08	Angel	INITIAL COMPLETE (REVISED)



wall legend



NOTE:
HANDRAILS SHALL BE CONTINUOUS THE FULL LENGTH OF STAIRS AND SHALL NOT EXTEND LESS THAN 6" BEYOND TOP AND BOTTOM RISERS AND SHALL TERMINATE IN A WELDED POST OR SAFETY TERMINAL.

typ. stair section

SCALE: 3/8" = 1'-0"
R311.5.3 STAIR TREADS AND RISERS - R311.5.3.2 TREAD DEPTH, THE MINIMUM TREAD DEPTH SHALL BE 10 INCHES. WINDER TREADS SHALL HAVE A MINIMUM TREAD DEPTH OF 10 INCHES MEASURED AT A POINT 12 INCHES FROM THE SIDE WHERE THE TREADS ARE NARROWER. WINDER TREADS SHALL HAVE A MINIMUM TREAD DEPTH OF 6 INCHES AT ANY POINT.

glazing notes

- SECTION R308.4 HAZARDOUS LOCATIONS. THE FOLLOWING SHALL BE CONSIDERED SPECIFIC HAZARDOUS LOCATIONS FOR THE PURPOSE OF GLAZING:
- 1. GLAZING IN SIDE-HINGED DOORS EXCEPT JALOUSIES.
- 2. GLAZING IN FIXED AND SLIDING PANELS OF SLIDING DOOR ASSEMBLIES AND BIFOLD CLOSET DOOR ASSEMBLIES.
- 3. GLAZING IN STORM DOORS.
- 4. GLAZING IN ALL UNFRAMED SWINGING DOORS.
- 5. GLAZING IN DOORS AND ENCLOSURES FOR HOT TUBS, WHIRLPOOLS, SAUNAS, STEAM ROOMS, BATHTUBS AND SHOWERS. GLAZING IN ANY PART OF A BUILDING WALL ENCLOSING THESE COMPARTMENTS WHERE THE BOTTOM EXPOSED EDGE OF THE GLAZING IS LESS THAN 60 INCHES (1524 mm) MEASURED VERTICALLY ABOVE ANY STANDING OR WALKING SURFACE.
- 6. GLAZING IN AN INDIVIDUAL FIXED OR OPERABLE PANEL ADJACENT TO A DOOR WHERE THE NEAREST VERTICAL EDGE IS WITHIN A 24 INCH (610 mm) ARC OF THE DOOR IN A CLOSED POSITION AND WHOSE BOTTOM EDGE IS LESS THAN 60 INCHES (1524 mm) ABOVE THE FLOOR OR WALKING SURFACE.
- 7. GLAZING IN AN INDIVIDUAL FIXED OR OPERABLE PANEL, OTHER THAN THOSE LOCATIONS DESCRIBED IN ITEMS 5 AND 6 ABOVE, THAT MEETS ANY OF THE FOLLOWING CONDITIONS:
 - 7.1 EXPOSED AREA OF AN INDIVIDUAL PANE GREATER THAN 4 SQUARE FEET (0.366 m²)
 - 7.2 BOTTOM EDGE LESS THAN 18 INCHES (457 mm) ABOVE THE FLOOR.
 - 7.3 TOP EDGE GREATER THAN 36 INCHES (914 mm) ABOVE THE FLOOR.
 - 7.4 ONE OR MORE WALKING SURFACES WITHIN 36 INCHES (914 mm) HORIZONTALLY OF THE GLAZING.
- 8. ALL GLAZING IN RAILINGS REGARDLESS OF AN AREA OR HEIGHT ABOVE A WALKING SURFACE, INCLUDED ARE STRUCTURAL BALUSTER PANELS AND NONSTRUCTURAL IN-FILL PANELS.
- 9. GLAZING IN WALLS AND FENCES ENCLOSING INDOOR AND OUTDOOR SWIMMING POOLS, HOT TUBS AND SPAS WHERE THE BOTTOM EDGE OF THE POOL OR SPA SIDE IS LESS THAN 60 INCHES (1524 mm) ABOVE THE WALKING SURFACE AND WITHIN 60 INCHES (1524 mm) HORIZONTALLY OF THE WATER'S EDGE. THIS SHALL APPLY TO SINGLE GLAZING AND ALL PANELED MULTIPLE GLAZING.
- 10. GLAZING IN WALLS ENCLOSING STAIRWAY LANDINGS OR WITHIN 60 INCHES (1524 mm) OF THE TOP AND BOTTOM OF STAIRWAYS WHERE THE BOTTOM EDGE OF THE GLASS IS LESS THAN 60 INCHES (1524 mm) ABOVE THE WALKING SURFACE.

second floor plan

SCALE: 1/4" = 1'-0"