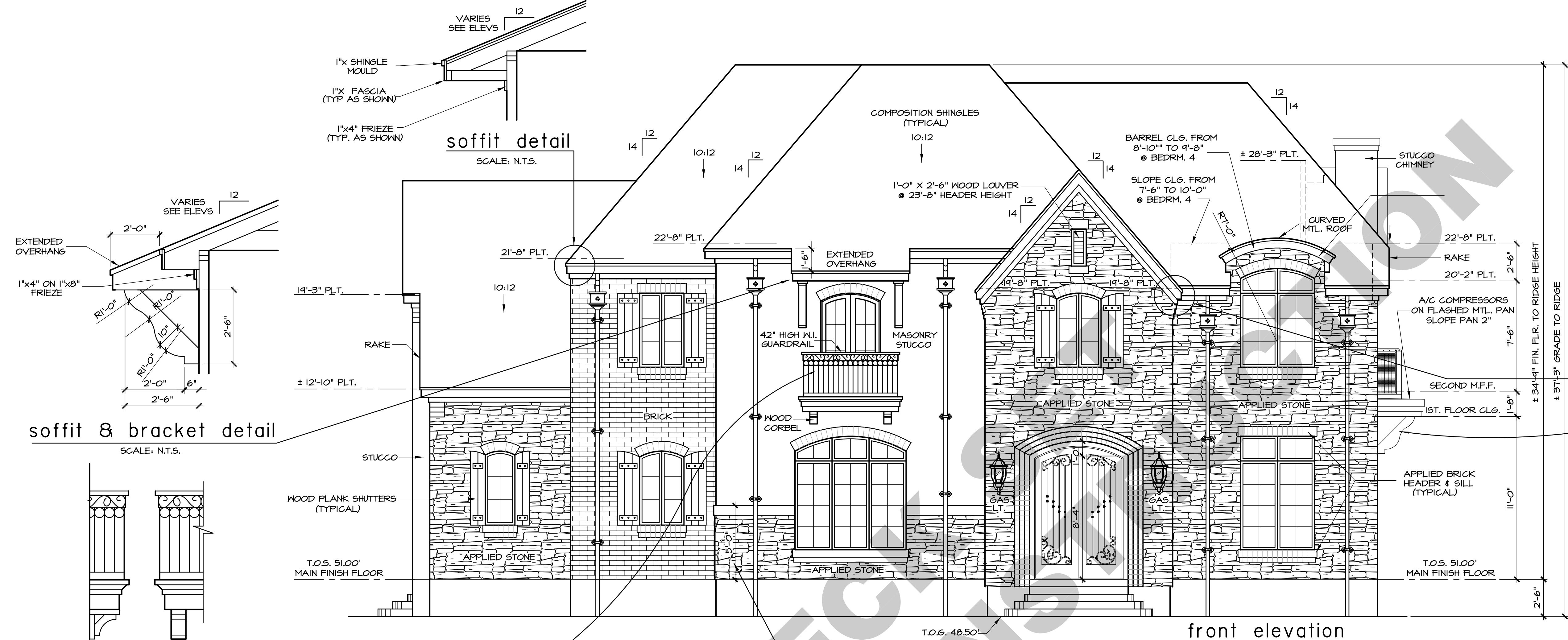
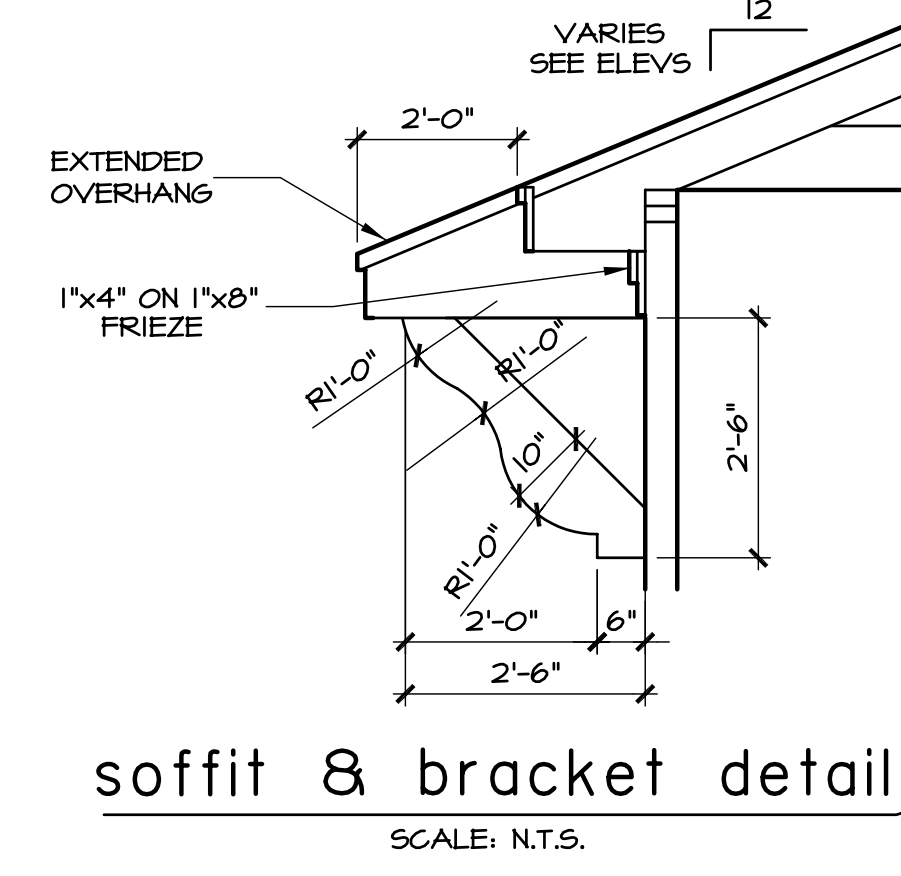


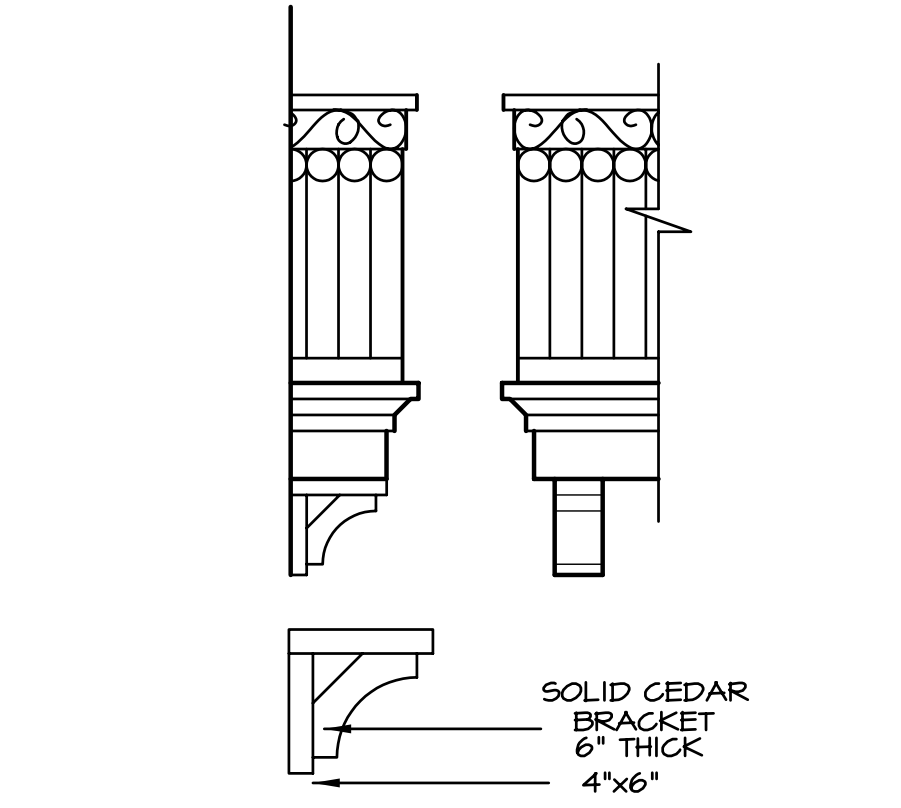
revisions		
DATE	NAME	DESCRIPTION
9-24-08	Angel	INITIAL COMPLETE (REVISED)



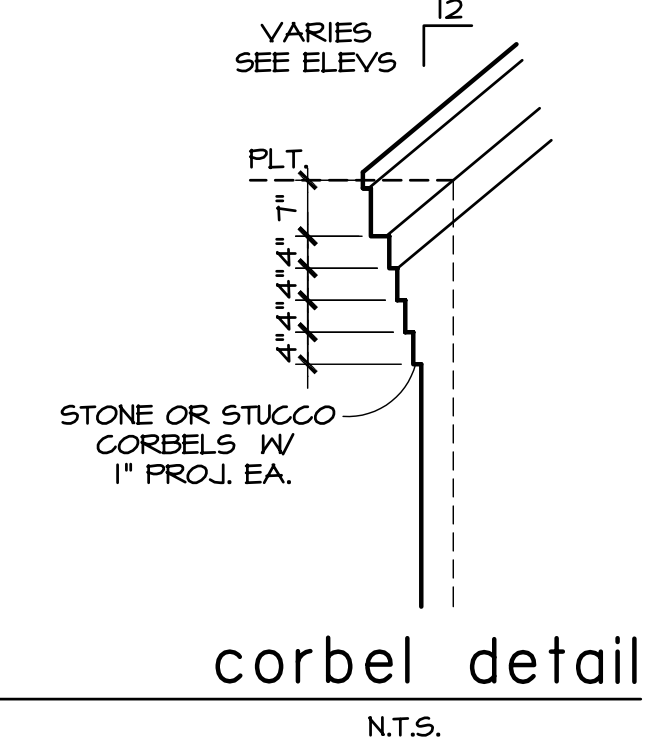
front elevation



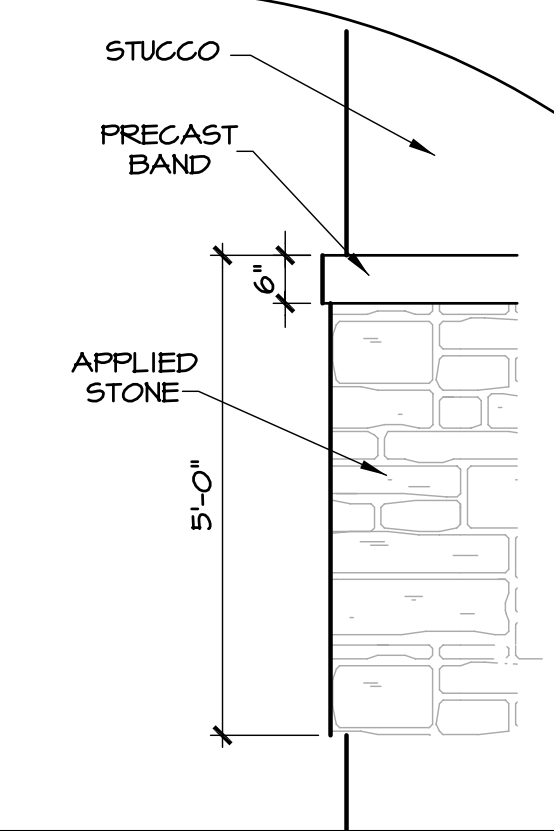
soffit & bracket detail



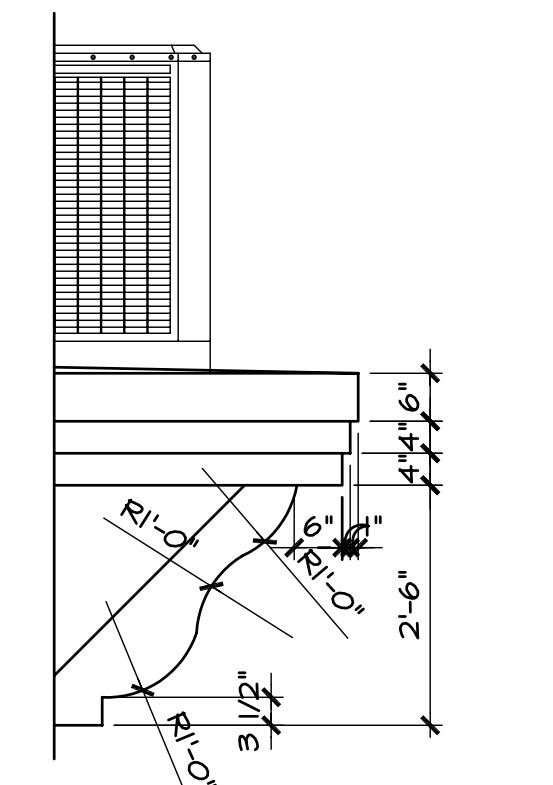
typ. bracket detail



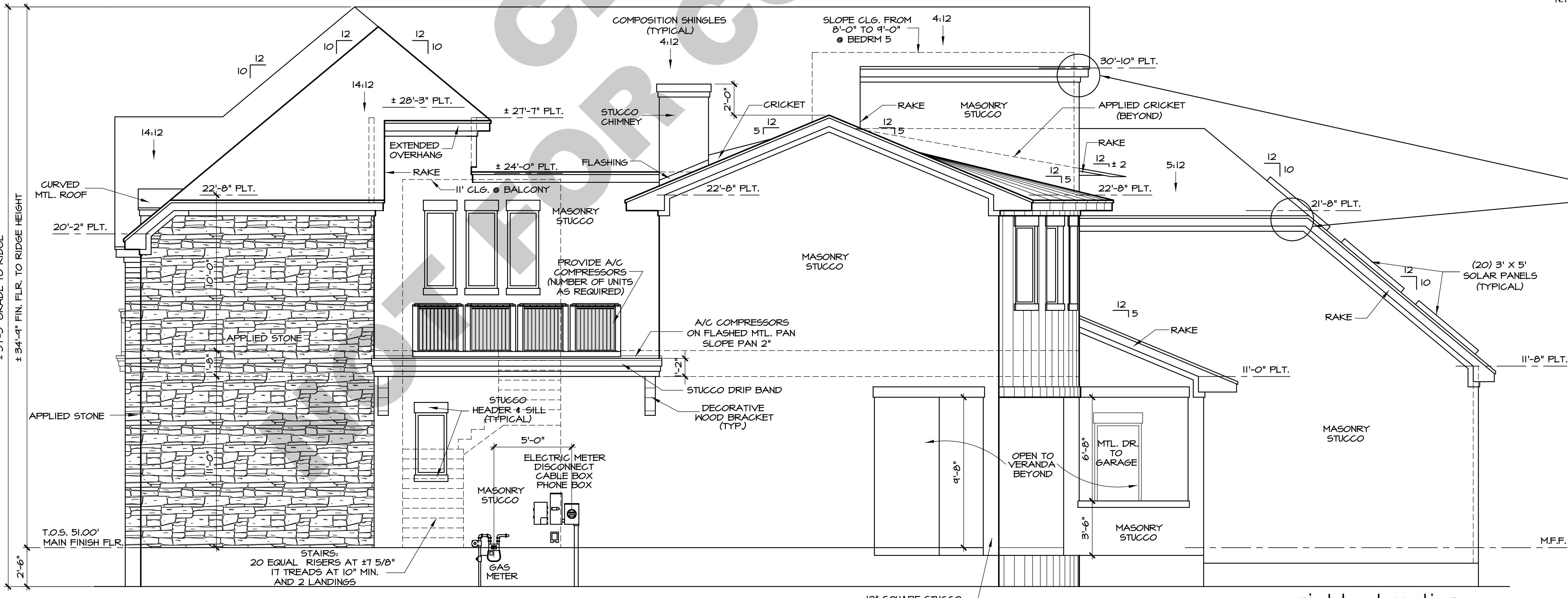
corbel detail



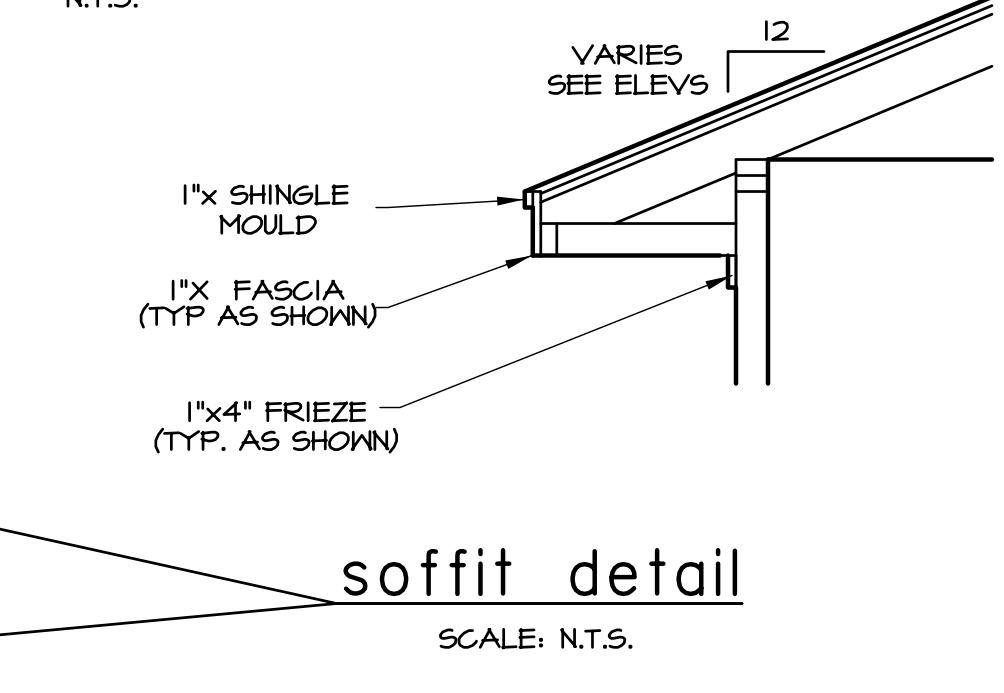
water table detail



mechanical deck bracket detail



right elevation



soffit detail

elevation notes

- SEE ROOF PLAN FOR OVERHANGS
- SEE ROOF PLAN FOR RAKE DETAILS
- PROVIDE SPARK ARRESTORS AT CHIMNEYS TO COMPLY WITH IRC 2003, WITH 1/2" GAP MAX.
- GUTTERS AND DOWNSPOUTS PER BUILDER.

RICE RESIDENTIAL DESIGN, L.P. IS A PROFESSIONAL BUILDING DESIGN FIRM. WE ARE NOT QUALIFIED TO NOR LICENSED TO DESIGN STRUCTURAL FRAMING OR FOUNDATIONS. A LICENSED PROFESSIONAL ENGINEER SHOULD BE CONSULTED REGARDING THE FRAMING AND FOUNDATION. SHOULD AN ENGINEER'S SEAL BE PRESENT ON THE DRAWINGS, THE "ENGINEER OF RECORD" SHALL BEAR THE RESPONSIBILITY FOR THE STRUCTURAL DESIGN. RICE RESIDENTIAL DESIGN, L.P. WILL NOT BE HELD RESPONSIBLE FOR THE STRUCTURAL DESIGN IN ANY WAY AND/OR ANY PROBLEMS WHICH MAY ARISE.

exterior elevations

SCALE: 1/4" = 1'-0"

PLAN No. 5413	JOB No. 271106	SHEET No. 5 of 11
---------------	----------------	-------------------