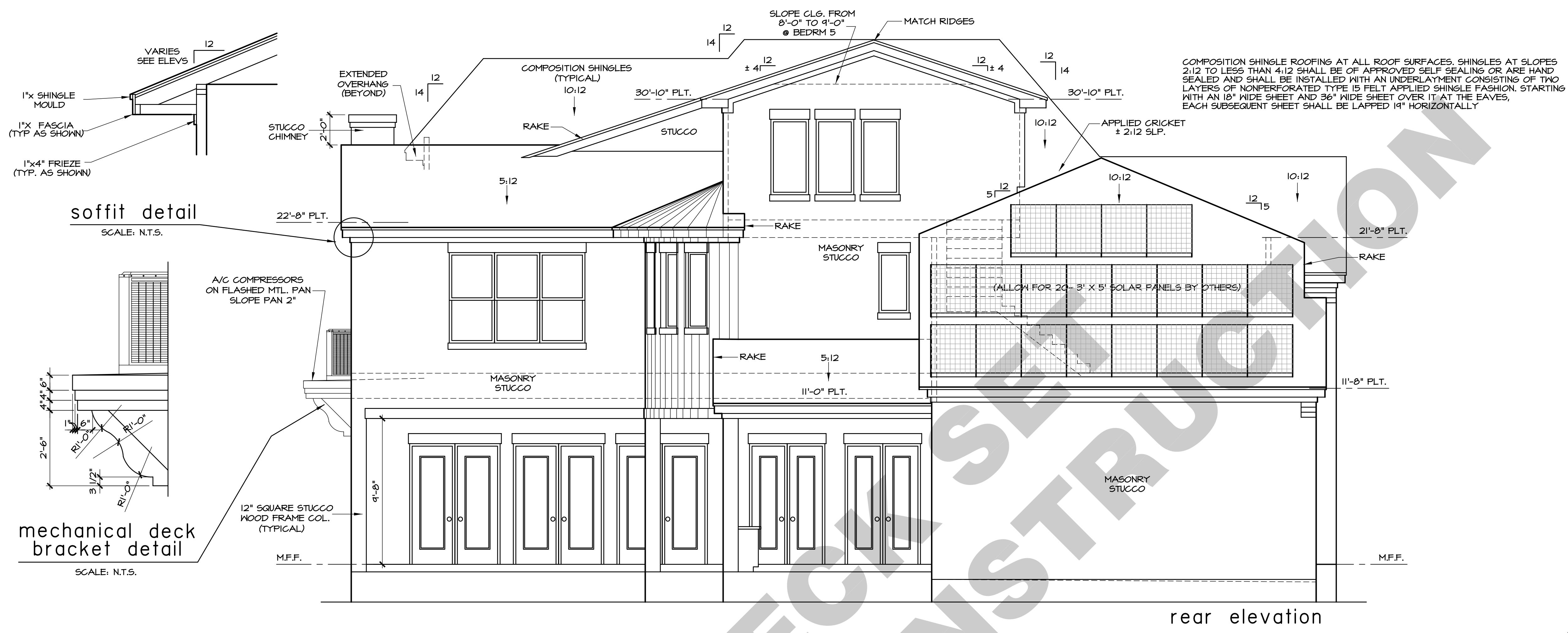
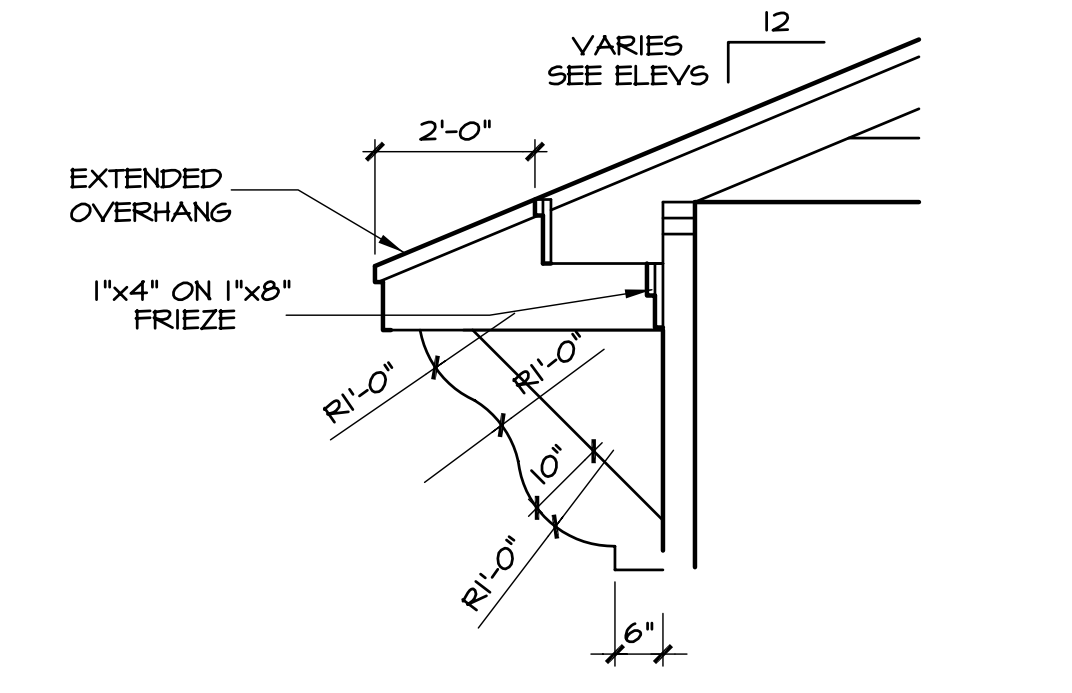


revisions		
DATE	NAME	DESCRIPTION
9-24-08	Angel	INITIAL COMPLETE (REVISED)



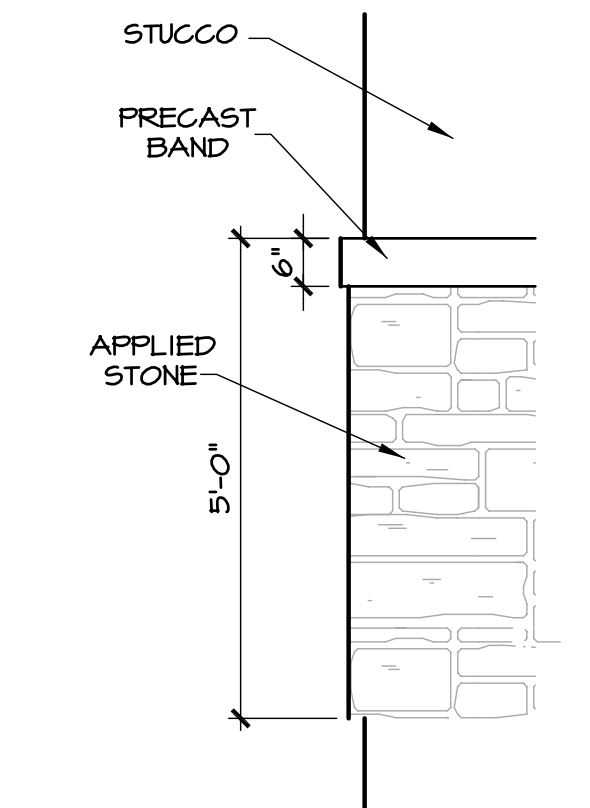
rear elevation



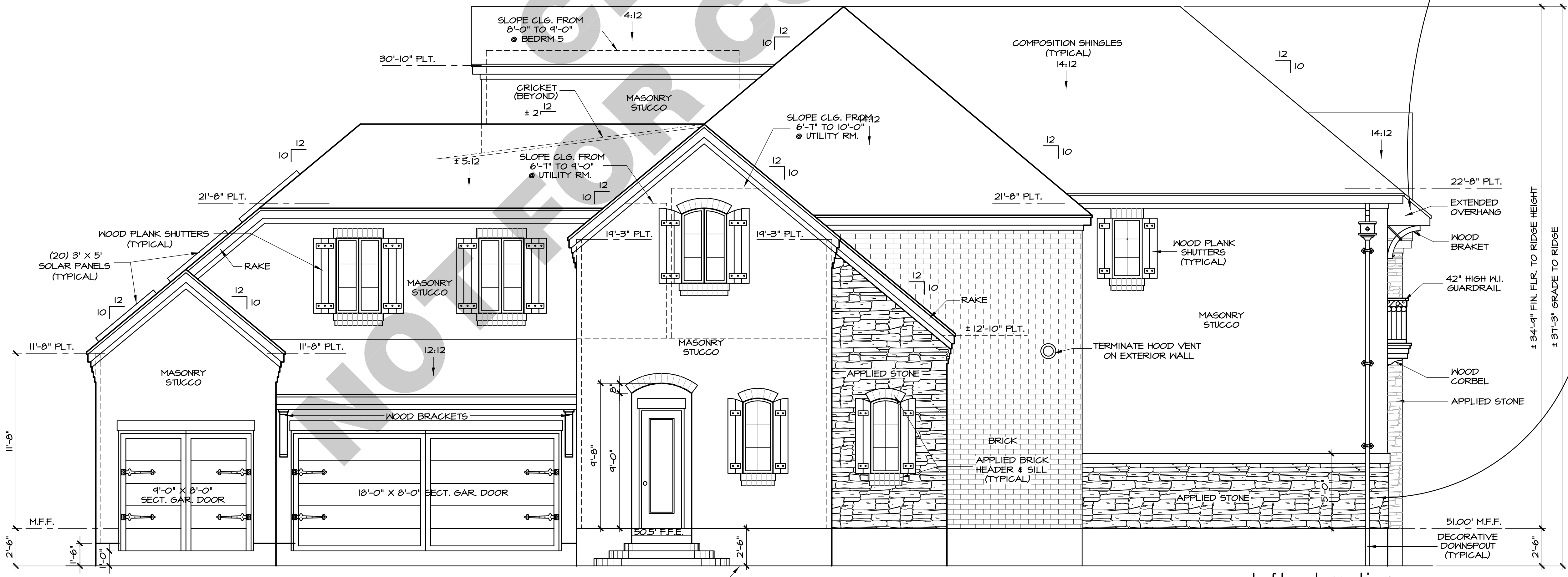
soffit & bracket detail
SCALE: N.T.S.

soffit detail
SCALE: N.T.S.

mechanical deck bracket detail
SCALE: N.T.S.



water table detail
N.T.S.



left elevation

elevation notes

- SEE ROOF PLAN FOR OVERHANGS
- SEE ROOF PLAN FOR RAKE DETAILS
- PROVIDE SPARK ARRESTORS AT CHIMNEYS TO COMPLY WITH IRC 2003, WITH 1/2" GAP MAX.
- GUTTERS AND DOWNSPOUTS PER BUILDER.

RICE RESIDENTIAL DESIGN, L.P. IS A PROFESSIONAL BUILDING DESIGN FIRM. WE ARE NOT QUALIFIED TO NOR LICENSED TO DESIGN STRUCTURAL FRAMING OR FOUNDATIONS. A LICENSED PROFESSIONAL ENGINEER SHOULD BE CONSULTED REGARDING THE FRAMING AND FOUNDATION. SHOULD AN ENGINEER'S SEAL BE PRESENT ON THE DRAWINGS, THE "ENGINEER OF RECORD" SHALL BEAR THE RESPONSIBILITY FOR THE STRUCTURAL DESIGN. RICE RESIDENTIAL DESIGN, L.P. WILL NOT BE HELD RESPONSIBLE FOR THE STRUCTURAL DESIGN IN ANY WAY AND/OR ANY PROBLEMS WHICH MAY ARISE.

exterior elevations

SCALE: 1/4" = 1'-0"